

Your Quality Inlet Filter Lite™

24" x 24" CATCH BASIN MODEL

WATER FLOWS OFF OF THE UPPER FRAME INTO THE FILTER BASKET

EXCESS WATER FLOWS THROUGH BYPASS OPENINGS DURING HEAVY STORM EVENTS

FILTER BASKET THAT CAN BE EASILY REMOVED BY ONE PERSON

304 STAINLESS STEEL UPPER AND LOWER FRAMES FOR LONG LASTING LIFE

BYPASS OPENINGS FOR HEAVY STORM EVENTS

REUSABLE FILTER BASKET WITH DISPOSABLE FILTER INSERT TO MEET SPECIFIC SITE CONDITIONS

24" x 45 1/4" CATCH BASIN MODEL

WATER FLOWS OFF OF THE UPPER FRAME INTO THE FILTER BASKET

EXCESS WATER FLOWS THROUGH BYPASS OPENINGS DURING HEAVY STORM EVENTS

FILTER BASKET THAT CAN BE EASILY REMOVED BY ONE PERSON

Your Quality Inlet Filter Lite Operation and Maintenance Plan

1.0 Identification of Drainage Structures to Determine Your Quality Inlet Filter system:

1.1 The Installer (Contractor) shall inspect the plans and/or worksite to determine the catch basin drainage structure casting type. The exact grate size and clear opening size will provide the information necessary to identify the properly size Your Quality Inlet Filter system. Your Quality Inlet Filter systems are supplied to the field pre-configured to fit the specified drainage structure.

2.0 Installation into Standard Grated Catch Basin Drainage Structures:

2.1 Remove the grate from the casting or concrete drainage structure. Clean the ledge (lip) of the casting frame or drainage structure to ensure it is free of stone and dirt. Drop in the Your Quality Inlet Filter Lower Frame assembly through the clear opening and be sure the 304 stainless steel frame rests firmly on the inside ledge (lip) of the casting.

2.2 Insert the Filter Basket Rings with Filter Fabric into the Lower Frame assembly hangers.

2.3 Place the Your Quality Inlet Filter Upper Frame on top of the Lower Frame assembly and replace the grate. Confirm the grate is elevated no more than 1/8".

3.0 Inspection/Operation and Maintenance Guidelines:

3.1 The frequency of maintenance will vary depending on the application (during construction, post construction, or industrial use), the area of installation (relative to grade and runoff exposure), and the time of year relative to the geographic location (infrequent rain, year round rain, rain and snow conditions).

3.1.1 Frequency of Inspections: Construction site inspection should occur following each 1/2" or more rain event. Post Construction inspections should occur three times per year (every four months) in areas with year-round rainfall and four times per year (every three months) in areas with rainy seasons before and after snowfall season. Industrial application site inspections (loading ramps, wash racks, maintenance facilities) should occur on a regularly scheduled basis no less than three times per year.

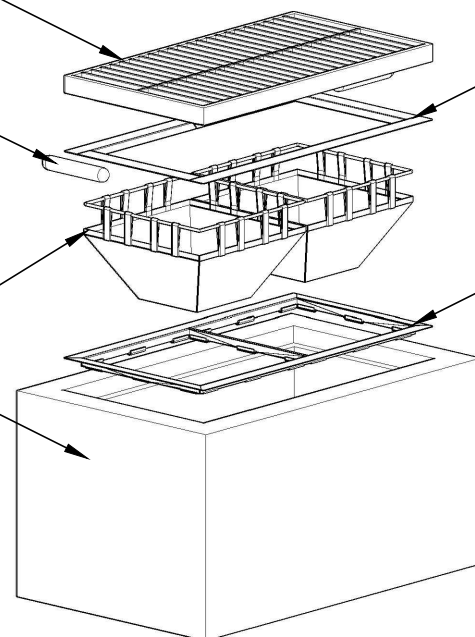
3.1.2 General Maintenance for filter bags: Remove the grate and remove the Upper Frame. Lift out the Filter Basket Ring from the Lower Frame assembly. Machine or other mechanical assistance is not required. The filter fabric is to be removed when it is half full of sediment or as directed by the owner and/or engineer and replaced with a fresh filter fabric. The filter fabric being removed shall be disposed, along with the sediment or debris, at a DEP approved disposal site. After the fresh filter fabric is replaced, place the oil absorbent booms in the Filter Basket. Place the Filter Basket Ring back into the Lower Frame assembly hangers. Place the Upper Frame back on top of the Lower Frame assembly and then place the grate into its final position and confirm that it is elevated no more than 1/8".

STANDARD WELDED STEEL INLET GRATE (not included)

REPLACEABLE RUBBERIZED SORBENT BOOMS

REMOVABLE FILTER BASKET

STANDARD PRECAST INLET BOX (not included)



UPPER FRAME CONSTRUCTED FROM 304 STAINLESS STEEL

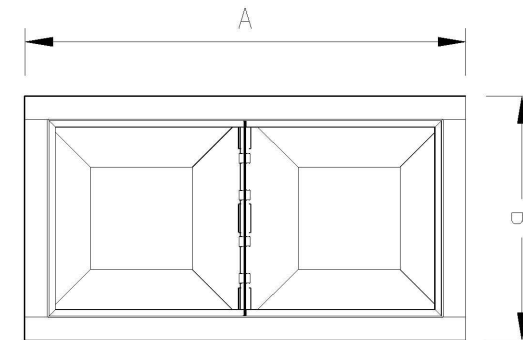
LOWER FRAME CONSTRUCTED FROM 304 STAINLESS STEEL

All Purchase and Maintenance Inquiries:
 Juan C. Salas (717)-351-3131 or (717)-725-3335
 jcsalas@yourqualitysolutions.com

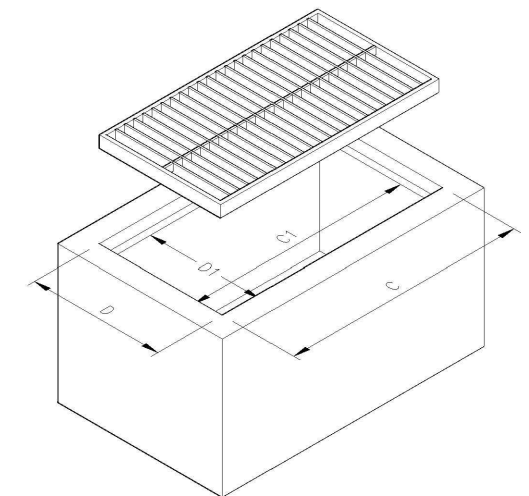
Filter Size	Filter Frame		Grate Frame		Clear Opening		Pollutant Removal		
	A	B	C	D	C1	D1	TSS	Phosphorus	Nitrogen
12 x 12	12.75	12.75	13.25	13.25	11.00	11.00	95%	84%*	74%*
24 x 24	26.31	26.38	27.00	27.00	24.00	24.00	95%	84%*	74%*
24 x 45	26.38	47.75	27.00	48.25	24.00	45.25	95%	84%*	74%*
24 x 72	26.38	74.50	27.00	75.00	24.00	72.00	95%	84%*	74%*

~Custom Sizes are always available~

*based on 100% capture of leaves, vegetation and organic detritus and routine maintenance practices involving removal of Inlet Filter fabric with captured material. "Evaluation of Leaf removal...in Urban Stormwater" William R. Selbig, Science of Total Environment, Volume 571, 15 November 2016, pp 124-133



Your Quality Inlet Filter Lite Dimensions



Precast Catch Basin Dimensions

 YOUR QUALITY SOLUTIONS INC	www.yourqualitysolutions.com 24 Cobblestone Drive Willow Street, PA 17584 (717) 468-2754 DBE #14035/WBE #112277
	Your Quality Inlet Filter Lite™
-	Revisions
-	Originated on May 12, 2020; By: TPS
YQ Inlet Filter Lite Sizing V1.0	-