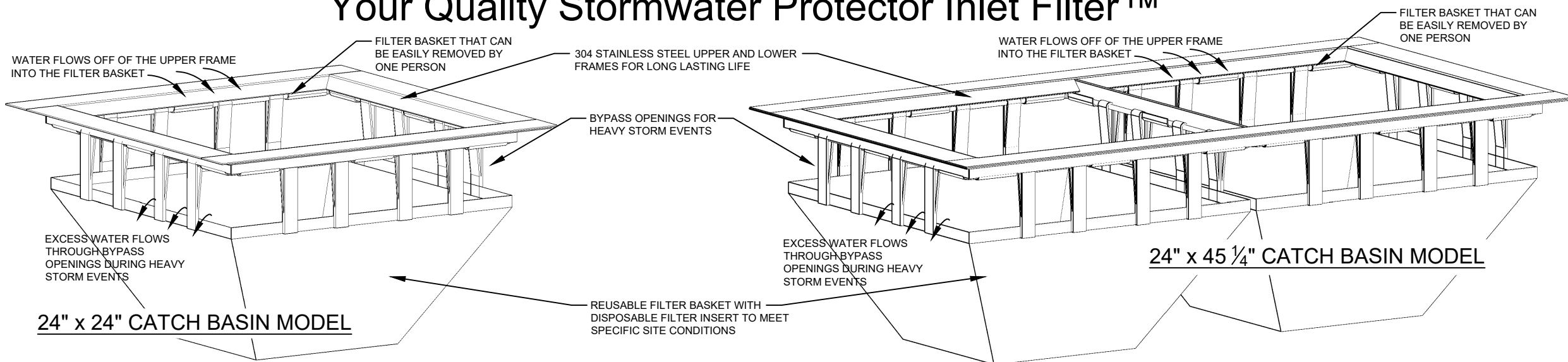


Your Quality Stormwater Protector Inlet Filter™



ADDITIONAL INFORMATION CAN BE FOUND AT THE FOLLOWING LINKS:

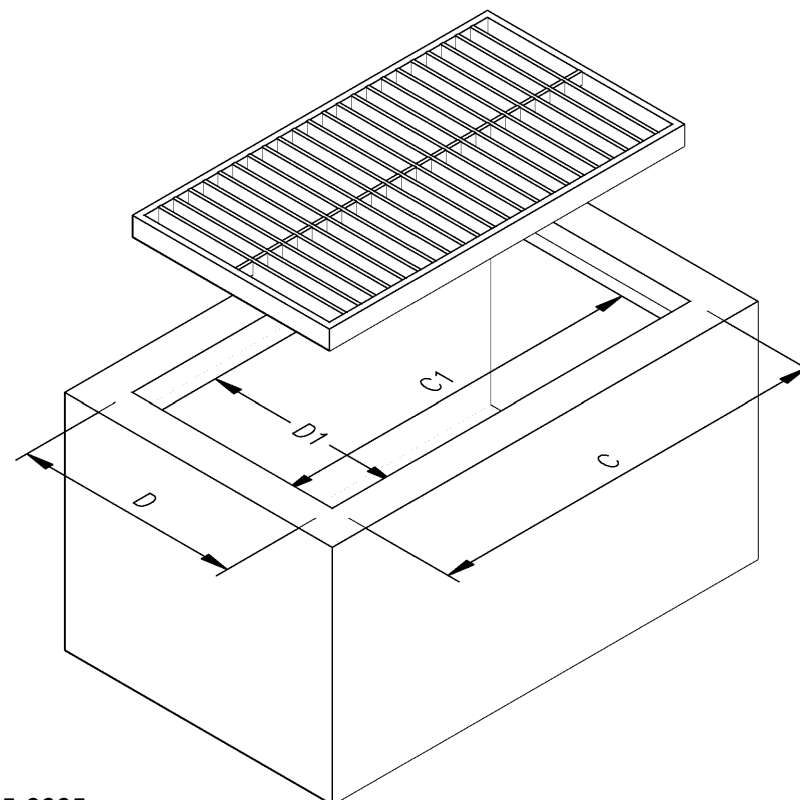
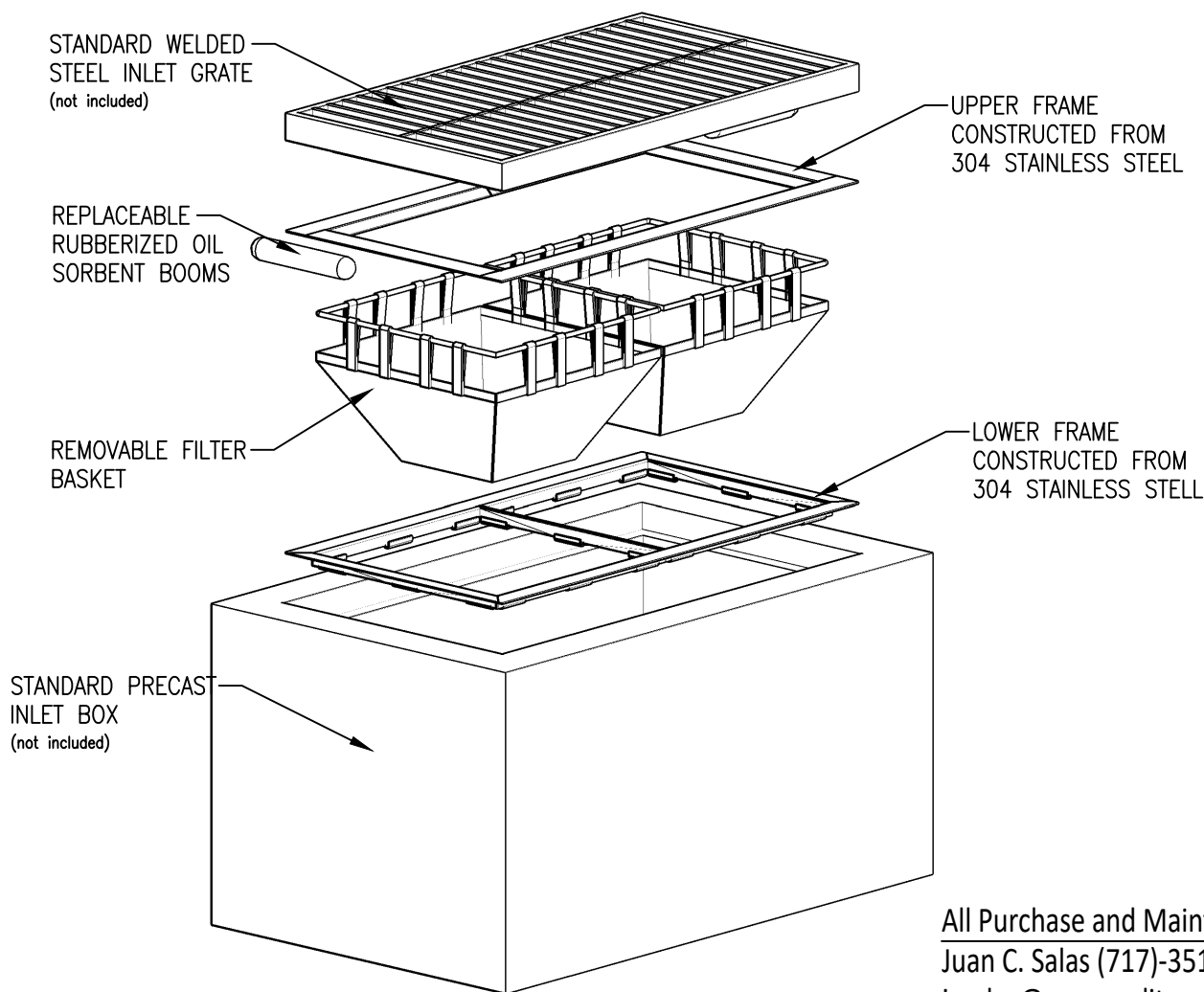
[Your Quality Stormwater Protector Inlet Filter Operation and Maintenance Plan](#)

and
[Filter Fabric Specifications](#)

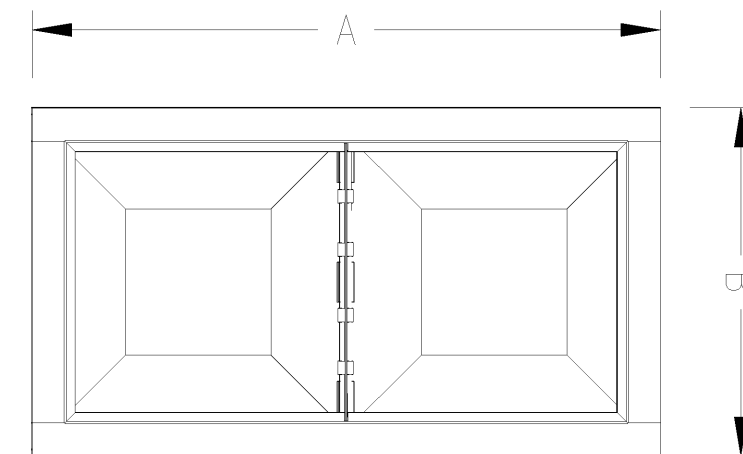
Filter Size	Filter Frame		Grate Frame		Clear Opening		Pollutant Removal		
	A	B	C	D	C1	D1	TSS	Phosphorus	Nitrogen
12 x 12	12.75	12.75	13.25	13.25	11.00	11.00	95%	84%*	74%*
24 x 24	26.31	26.38	27.00	27.00	24.00	24.00	95%	84%*	74%*
24 x 45	26.06	47.50	27.00	48.25	24.00	45.25	95%	84%*	74%*
24 x 72	26.38	74.50	27.00	75.00	24.00	72.00	95%	84%*	74%*

~Custom Sizes are always available~

*based on 100% capture of leaves, vegetation and organic detritus and routine maintenance practices involving removal of Inlet Filter fabric with captured material. "Evaluation of Leaf removal...in Urban Stormwater" William R. Selbig, Science of Total Environment, Volume 571, 15 November 2016, pp 124-133



Precast Catch Basin Dimensions



Your Quality Stormwater Protector Inlet Filter Dimensions

All Purchase and Maintenance Inquiries:
Juan C. Salas (717)-351-3131 or (717)-725-3335
jcsalas@yourqualitysolutions.com

 YOUR QUALITY SOLUTIONS INC	www.yourqualitysolutions.com 24 Cobblestone Drive Willow Street, PA 17584 (717) 468-2754 DBE #14035/WBE #112277	
	Your Quality Stormwater Protector Inlet Filter™	
-		Revisions
-		Originated on May 12, 2020; By: TPS
Your Quality Stormwater Protector Inlet Filter Sizing V1.3		-